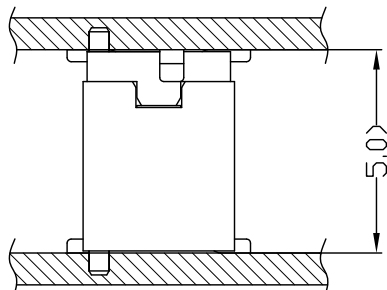
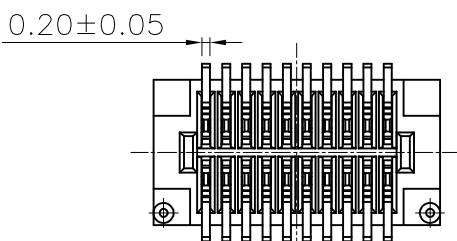
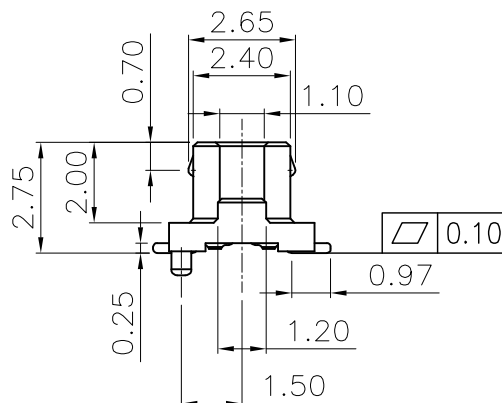
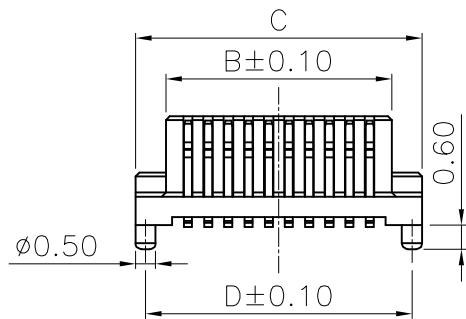
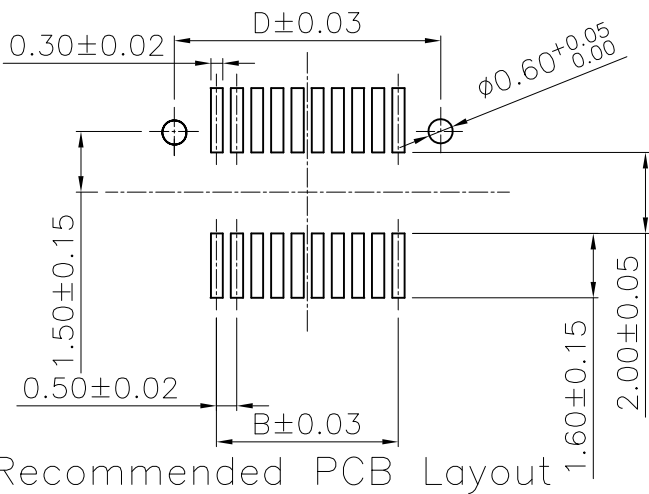
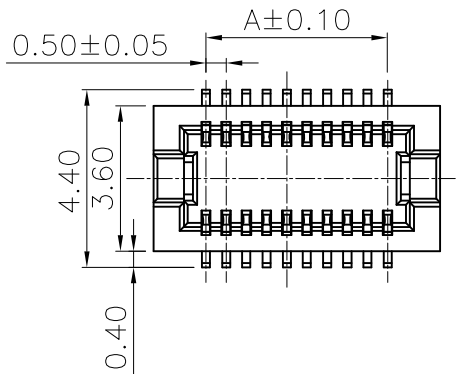


The product using material and processing must conform to the "WI-PZ-001"HSF technical standard control requirements

RoHS+HF



NOTE:

- 1.MATERIAL SPECIFICATION:
 - 1-1.INSULATOR: HIGH TEMPERATURE THERMOPLASTIC,UL 94V-0
 - 1-2.CONTACTS:COPPER ALLOY
 - 2.PLATING SPECIFICATION:
 - 2-1.CONTACTS: 50U" NI UNDER PLATING OVER ALL 1U" GOLD PLATING OVER ALL.
 - 3.MECHANICAL PERFORMANCE:
 - 3-1.RETENTION FORCE: 0.3kgf/PIN MIN
 - 3-2.DURABILITY: 30 CYCLES.
 - 4.ELECTRICAL PERFORMANCE:
 - 4-1. RATED CURRENT : 0.3A
RATED VOLTAGE : 50V AC
 - 4-2.INSULATION RESISTANCE: 100MΩ MIN
CONTACT RESISTANCE : 20mΩ MAX.
 - 4-3.WITHSTANDING VOLTAGE: 250V AC
 - 5.ENVIRONMENTAL PERFORMANCE:
 - OPERATING TEMPERATURE: -25°C~+85°C.
 - 6.PACKAGE SPEC: REEL
 - 7.P/N: B0503 27 M 0-2 XX 2 X X 1 01
- SERIES NO: NO SOLDER TABS
- HEIGHT: 27-2.70H
- MALE FEMALE: COLOR: A-BLACK, K-WHITE, S-NATURE
- ANGLE: 0-180°
- ROW NO: PLATING: A-ALL AU G/F, C-BRIGHE TIN, D-MATTE Tin
- PIN Q'PY: 10~80pin
- TERMIPOINT: 2-SMT

CKT.	A	B	C	D
10	2.00	3.10	4.70	4.10
20	4.50	5.60	7.20	6.60
30	7.00	8.10	9.70	9.10
36	8.50	9.60	11.20	10.60
40	9.50	10.60	12.20	11.60
50	12.00	13.10	14.70	14.10
60	14.50	15.60	17.20	16.60
68	16.50	17.60	19.20	18.60
70	17.00	18.10	19.70	19.10
80	19.50	20.60	22.20	21.60

REV.	REVISION RECORD	DATE	GENERAL TOLERANCES	SCALE:	NAME	DATE	PART.NO:	DWG.NO:
A0	NEW RELEASE	21.01.13	LINEAR 0.0±0.35	1:1	Wang_jr	21.01.13	B050327M0-2XX2XX101	ENDE05
			ANGLES X'REF±6°	APPROVED	Han_Gao	21.01.13	TITLE:	 WanLian Teconology Co., Ltd
			0.00±0.25	DESIGNER	Zijun_Huang	21.01.13	BTB 0.5mm SINGLE GROOVE H2.7mm	
			X'±3°	DRAWN	Zijun_Huang	21.01.13	DOUBLE ROW SMT MALE WITH THE COLUMN	
			UNIT:mm					REV: A0
			SIZE: A4					SHEET: 1/2

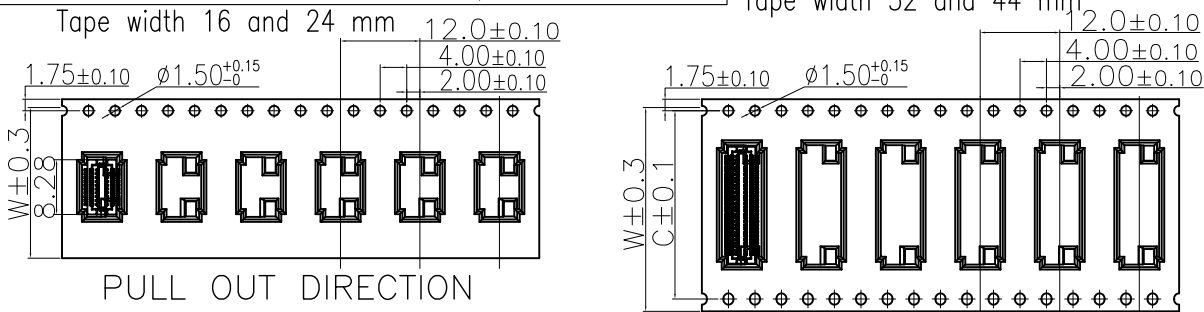
The product using material and processing must conform to the "WI-PZ-001"HSF technical standard control requirements

RoHS+HF

NOTE:

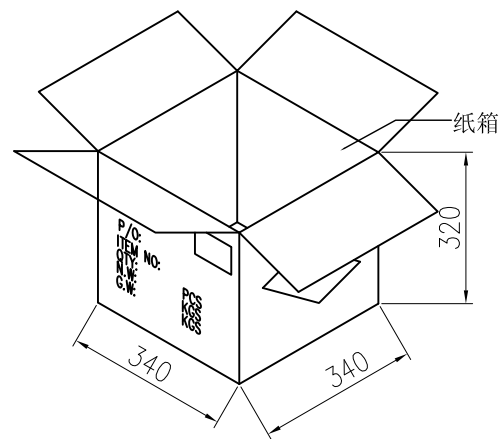
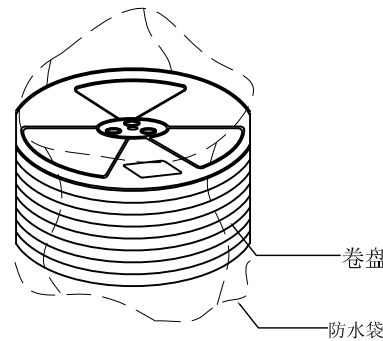
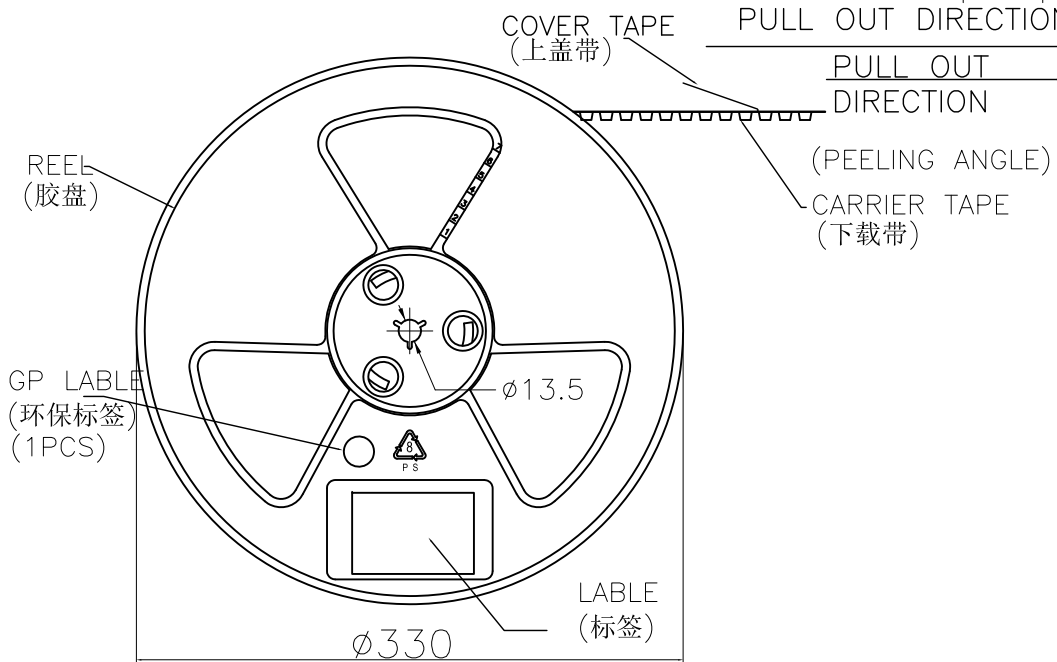
- 1.10 Sprocket hole pitch cumulative tolerance ± 0.20 .
2. Carrier camber is within 1mm in 100mm.
3. Material: black conductive polystyrene alloy.
4. Material Thickness: 0.3 ± 0.05 mm.
5. For tape width(dim W)16 and 24mm pilot holes are provided on one sides.
For tape width(dim W)32, 44 and 56mm pilot holes are provided on both sides.

A



B

C



SCALE 1:4

W+4

G

PIN NO.	W	C	PCS /REEL	REEL/CARTON	SUM(PCS)
8PIN~58PIN	24	—	1500	11	16500
60PIN~78PIN	32	28.4	1500	8	12000
80PIN~100PIN	44	40.4	1500	6	9000

H

REV.	REVISION RECORD	DATE	GENERAL TOLERANCES	SCALE:	NAME	DATE	PART.NO:	DWG.NO:
A0	NEW RELEASE	21.01.13	LINEAR 0.0±0.35	1:1	Wang_jr	21.01.13	B050343F0-2XX2XX101	ENDE05
			ANGLES X°REF±6°	APPROVED	Han_Gao	21.01.13	PACKAGE DRAWING	WanLian Teconology Co., Ltd
			UNIT:mm 0.00±0.25	DESIGNER	Zijun_Huang	21.01.13		
			SIZE: A4 0.000±0.10	DRAWN				



REV: A0 SHEET: 2/2

1

2

3

4

5

6

7

8